

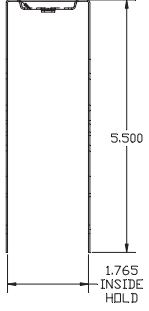
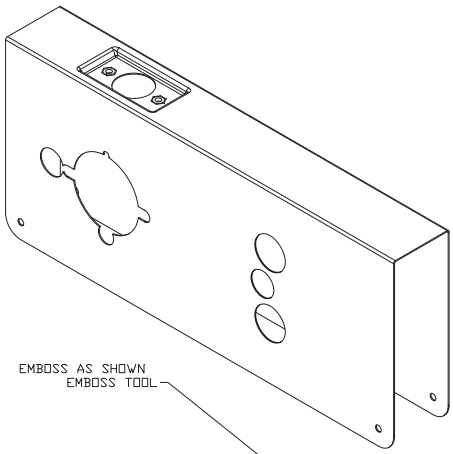
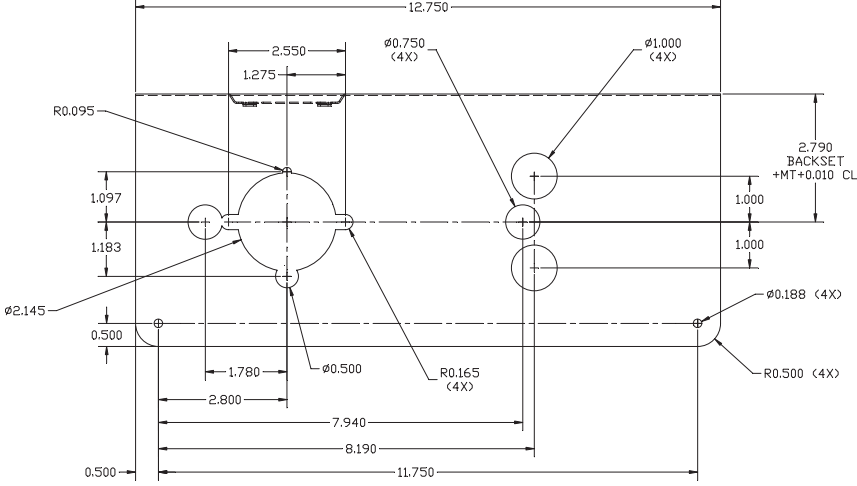
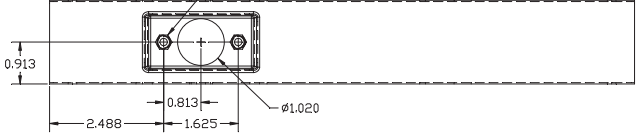
D

C

B

A

0.290 DIA THRU, EXTRUDE
0.310 DIA X 0.020 HIGH FS
INSTALL PEM F-832-2 NS
(2X). SPECIAL ANVIL REQ'D
FOR HARDWARE INSTALLATION



PRO-LOK®

655 North Hariton Street • Orange, CA • 92868
714.633.0681 / PRO-LOK.COM



Item: **EWP-320**

D

C

B

A