

D C B A

4

4

3

3

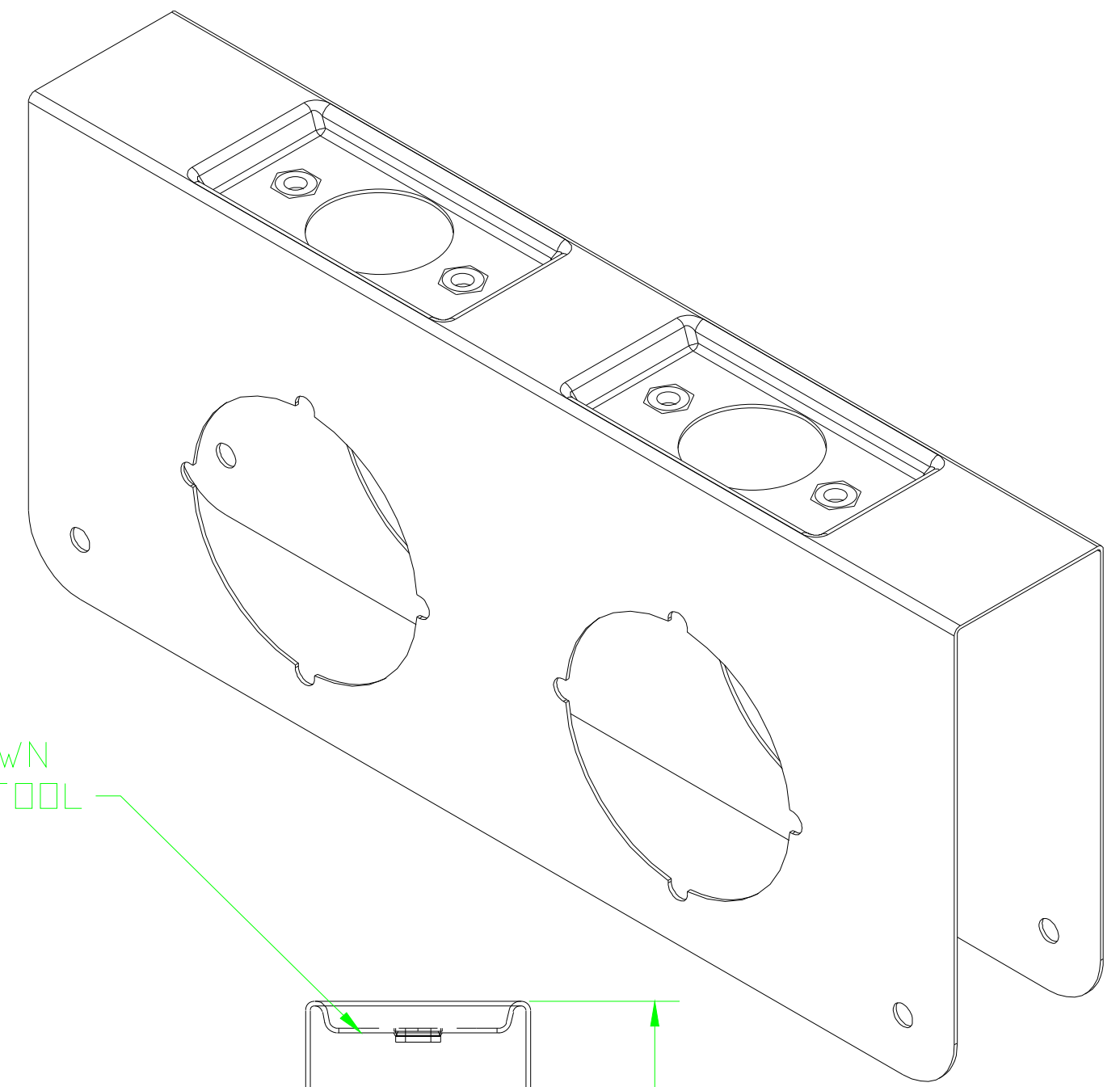
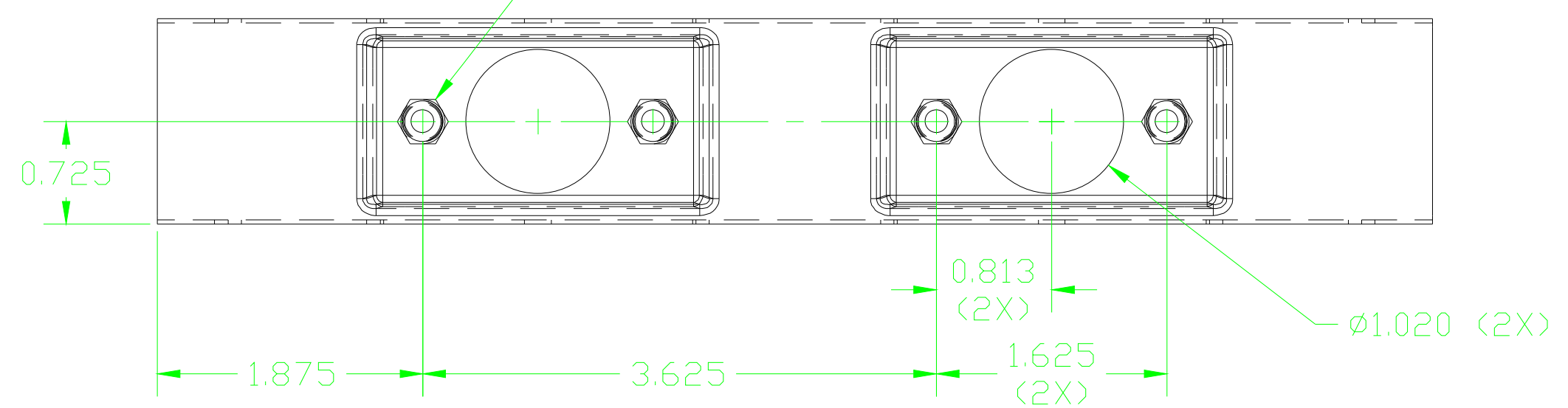
2

2

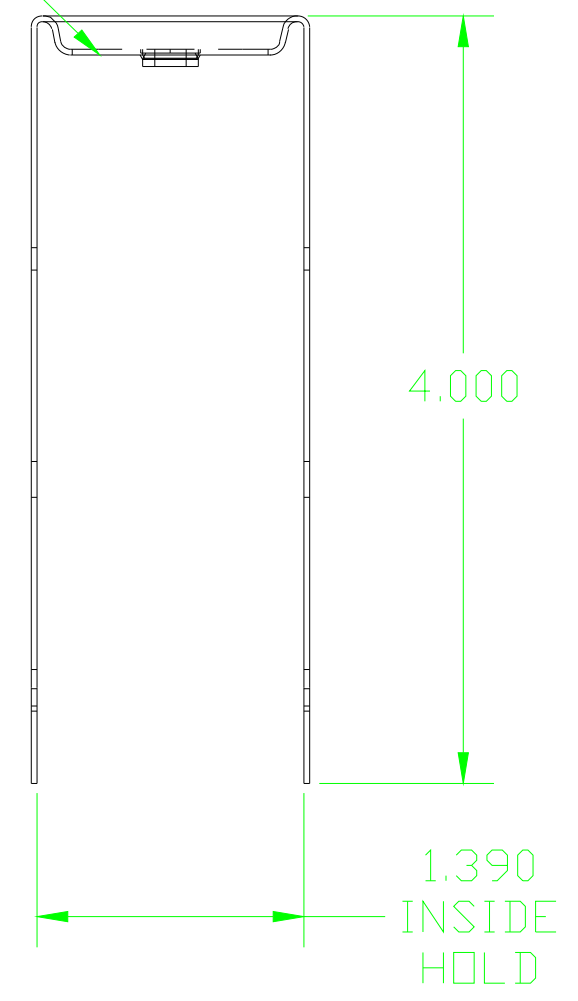
1

1

0.290 DIA THRU, EXTRUDE
0.310 DIA X 0.020 HIGH FS
INSTALL PEM F-832-2 NS
(4X). SPECIAL ANVIL REQ'D
FOR HARDWARE INSTALLATION



EMBOSS AS SHOWN
EMBOSS TOOL



Ø2.188 (4X)
R0.094 FULL RADIUS ON
4 EQUAL SPACES (4X)

Ø2.227 (4X)

0.500

0.500

2.187

3.625

8.000

2.415
BACKSET
+MT+0.010 CL

Ø0.188 (4X)

R0.500 (4X)

PRO-LOK®

655 North Hariton Street • Orange, CA • 92868
714.633.0681 / PRO-LOK.COM



Item: **EWP-220**

D C B A