

D C B A

4

4

3

3

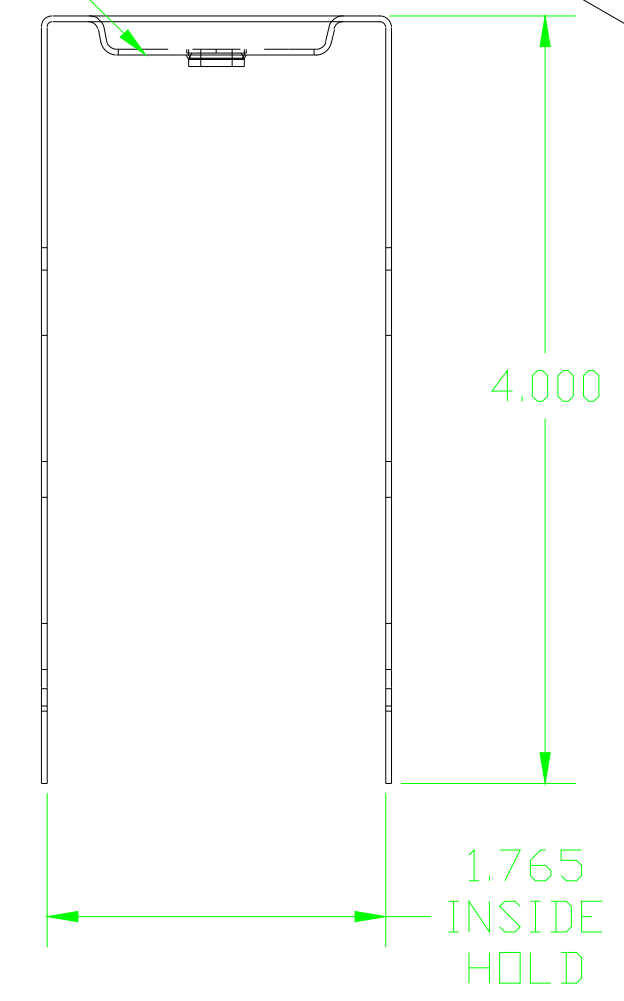
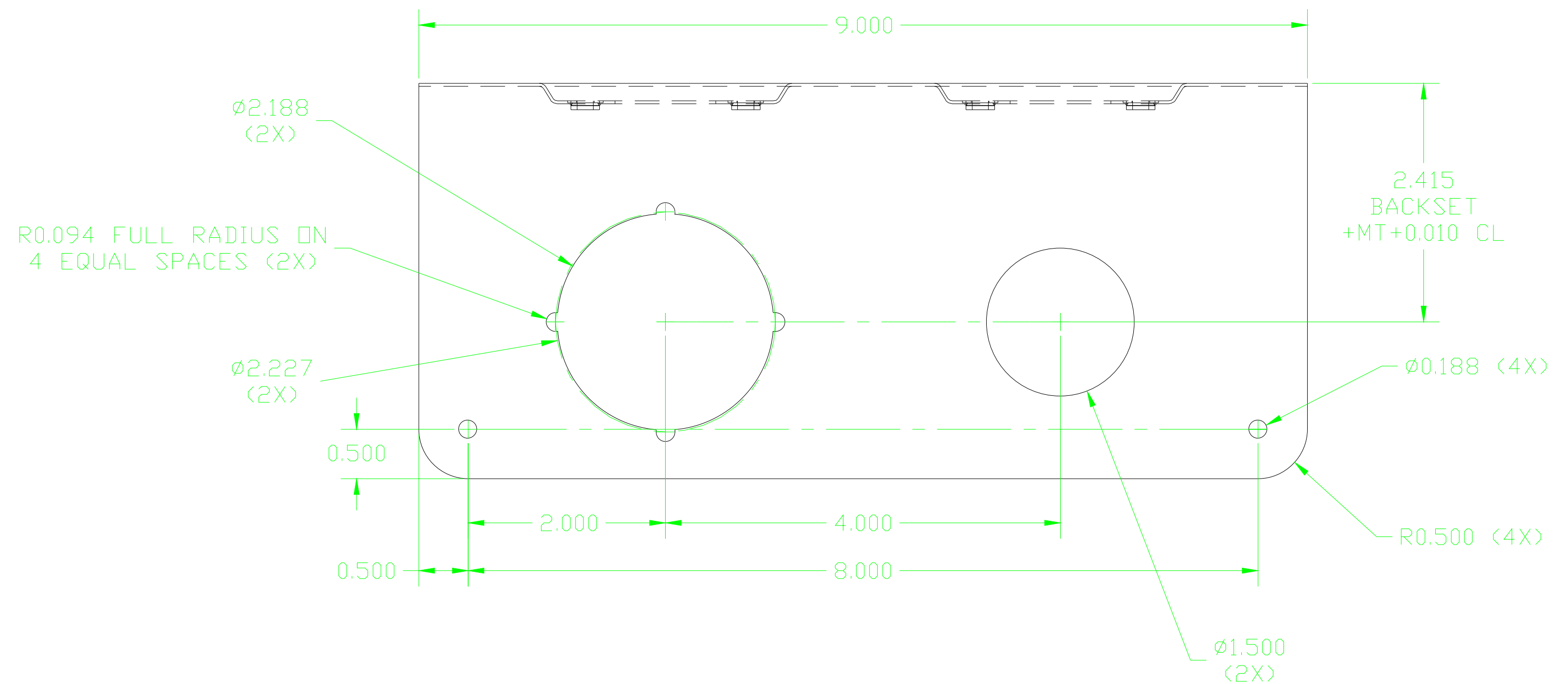
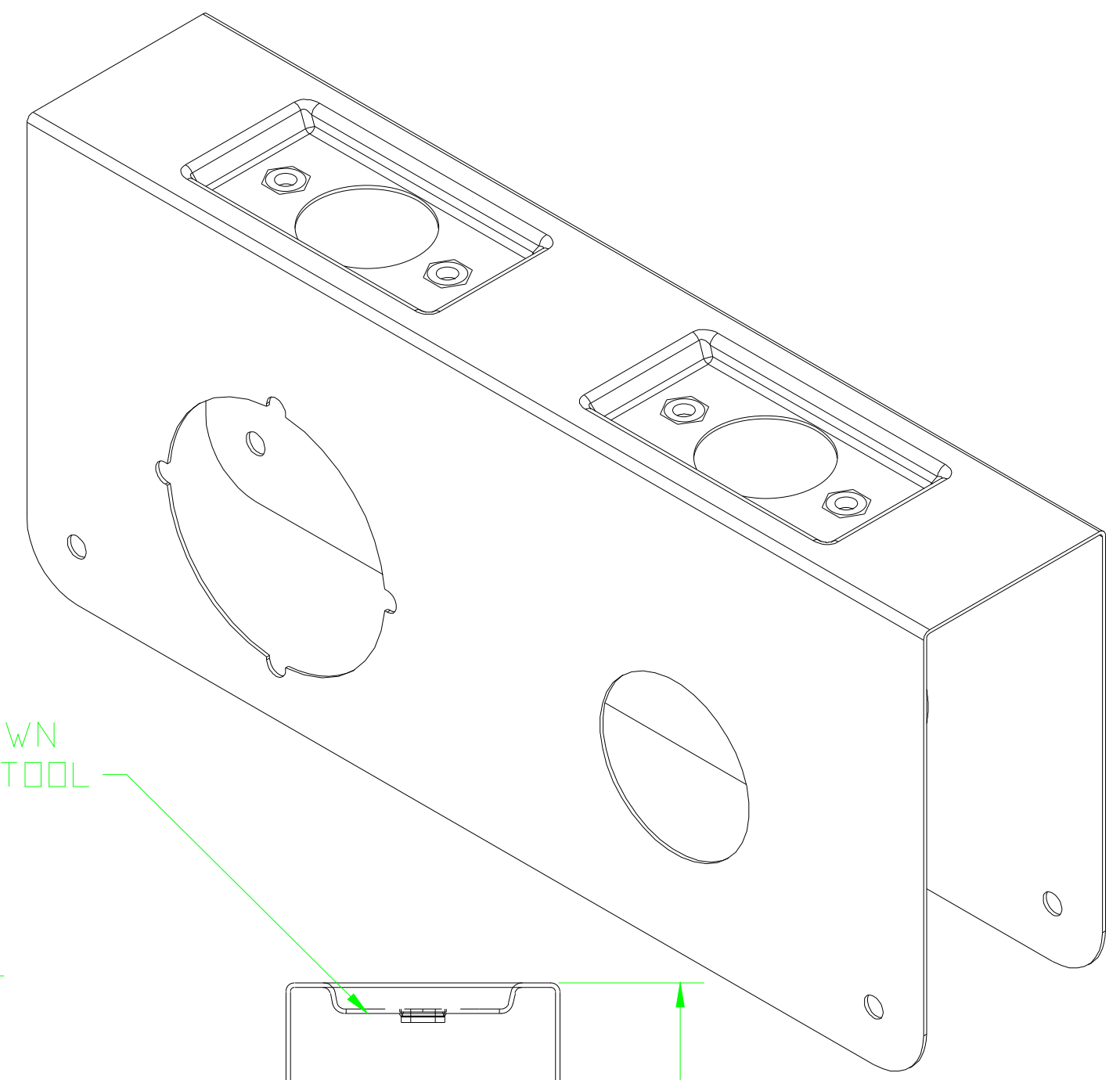
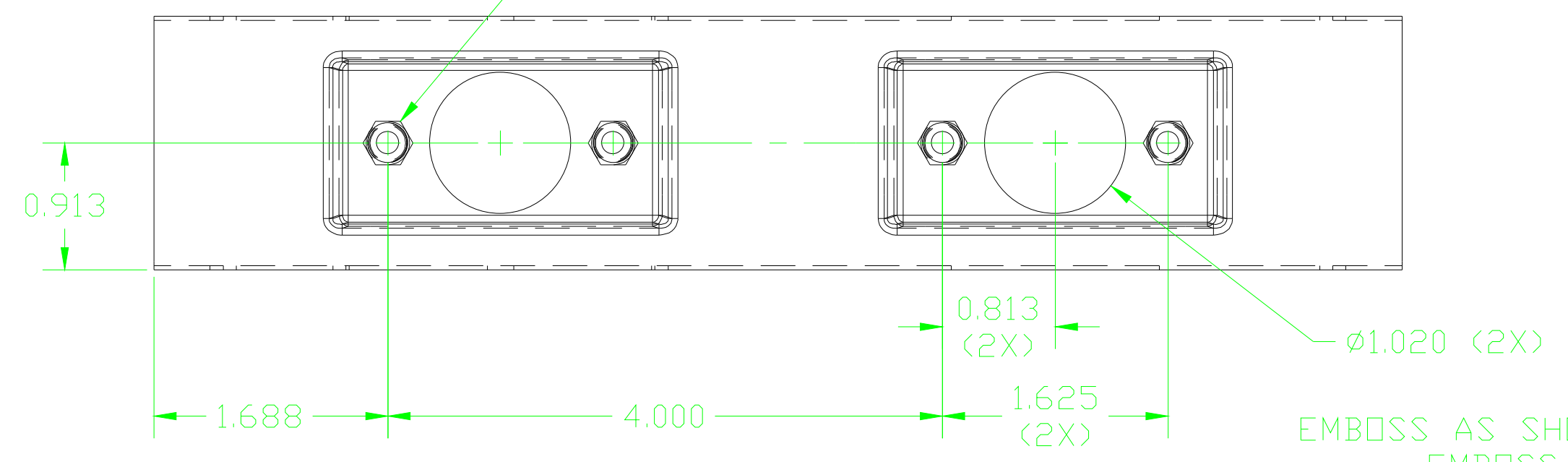
2

2

1

1

0.290 DIA THRU, EXTRUDE
0.310 DIA X 0.020 HIGH FS
INSTALL PEM F-832-2 NS
(4X). SPECIAL ANVIL REQ'D
FOR HARDWARE INSTALLATION



PRO-LOK®

655 North Hariton Street • Orange, CA • 92868
714.633.0681 / PRO-LOK.COM



Item: **EWP-201**

D C B A