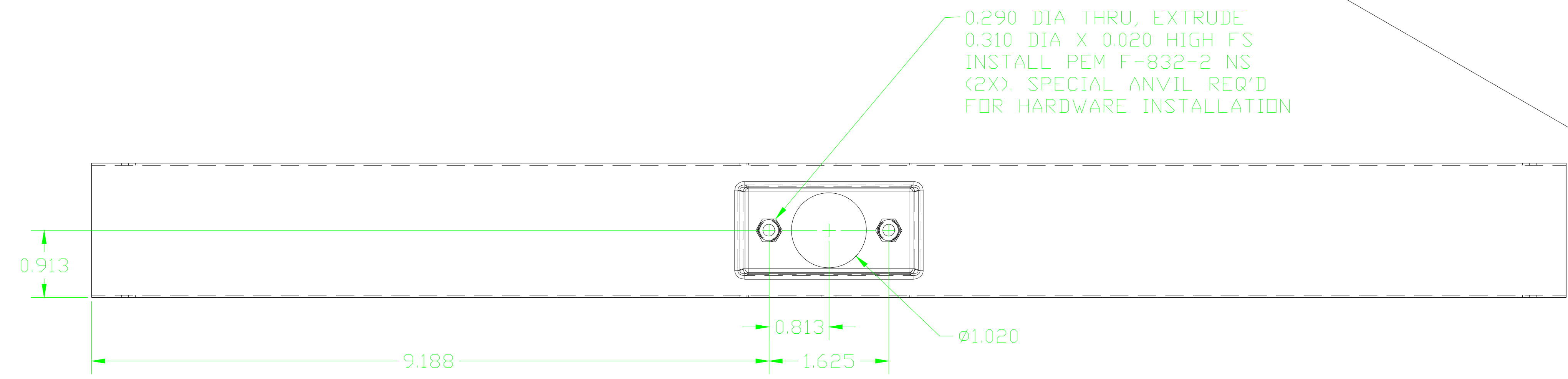
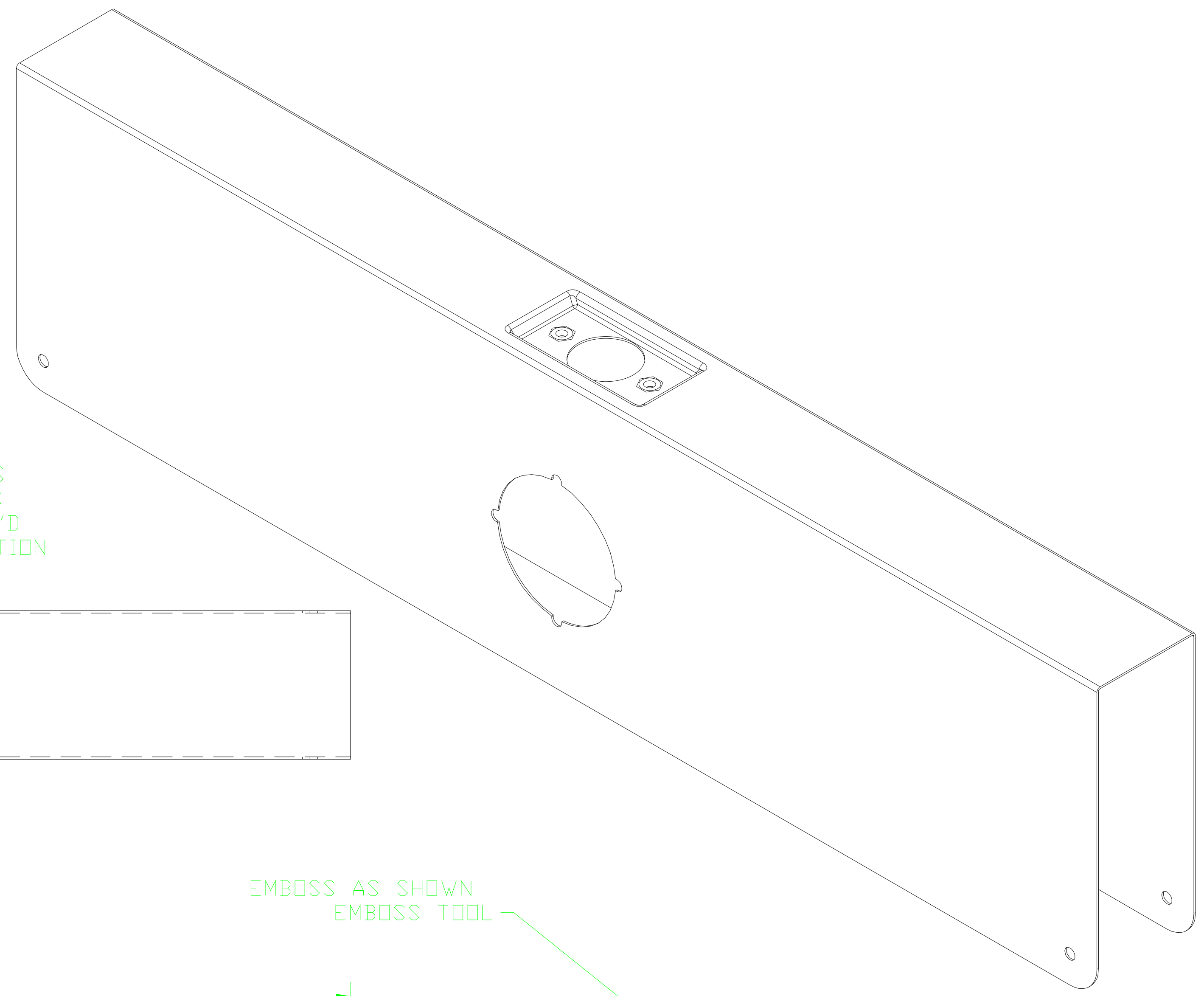


D

C

B

A

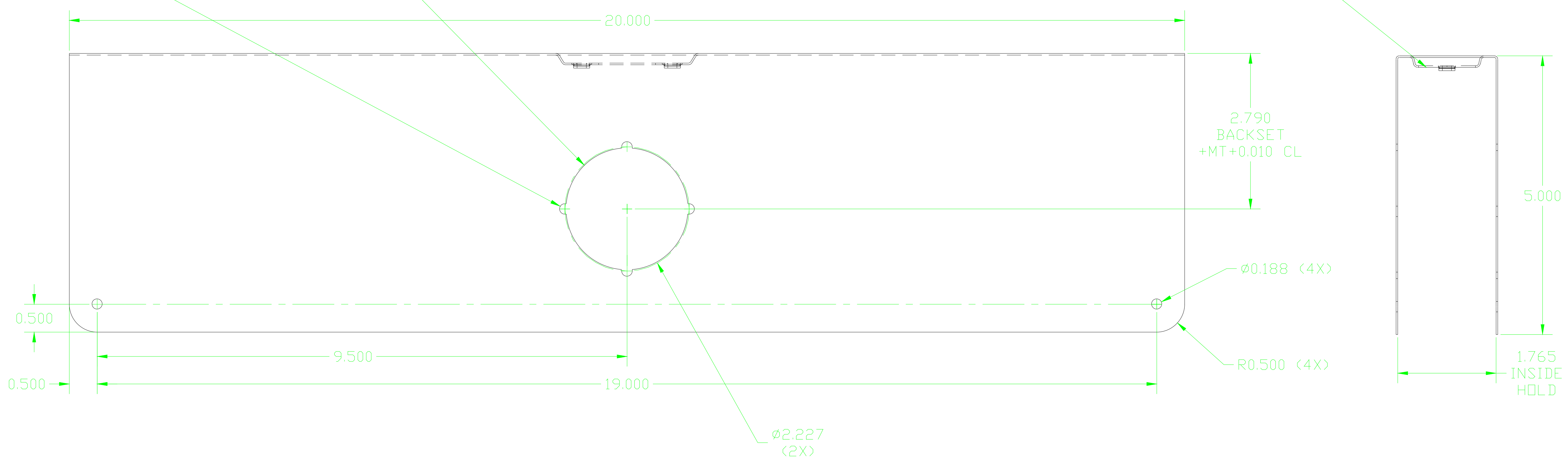


0.290 DIA THRU, EXTRUDE  
 0.310 DIA X 0.020 HIGH FS  
 INSTALL PEM F-832-2 NS  
 (2X). SPECIAL ANVIL REQ'D  
 FOR HARDWARE INSTALLATION

R0.094 FULL RADIUS ON  
 4 EQUAL SPACES (2X)

Ø2.188  
 (2X)

EMBOSS AS SHOWN  
 EMBOSS TOOL



D

C

B

A