

D C B A

4

3

2

1

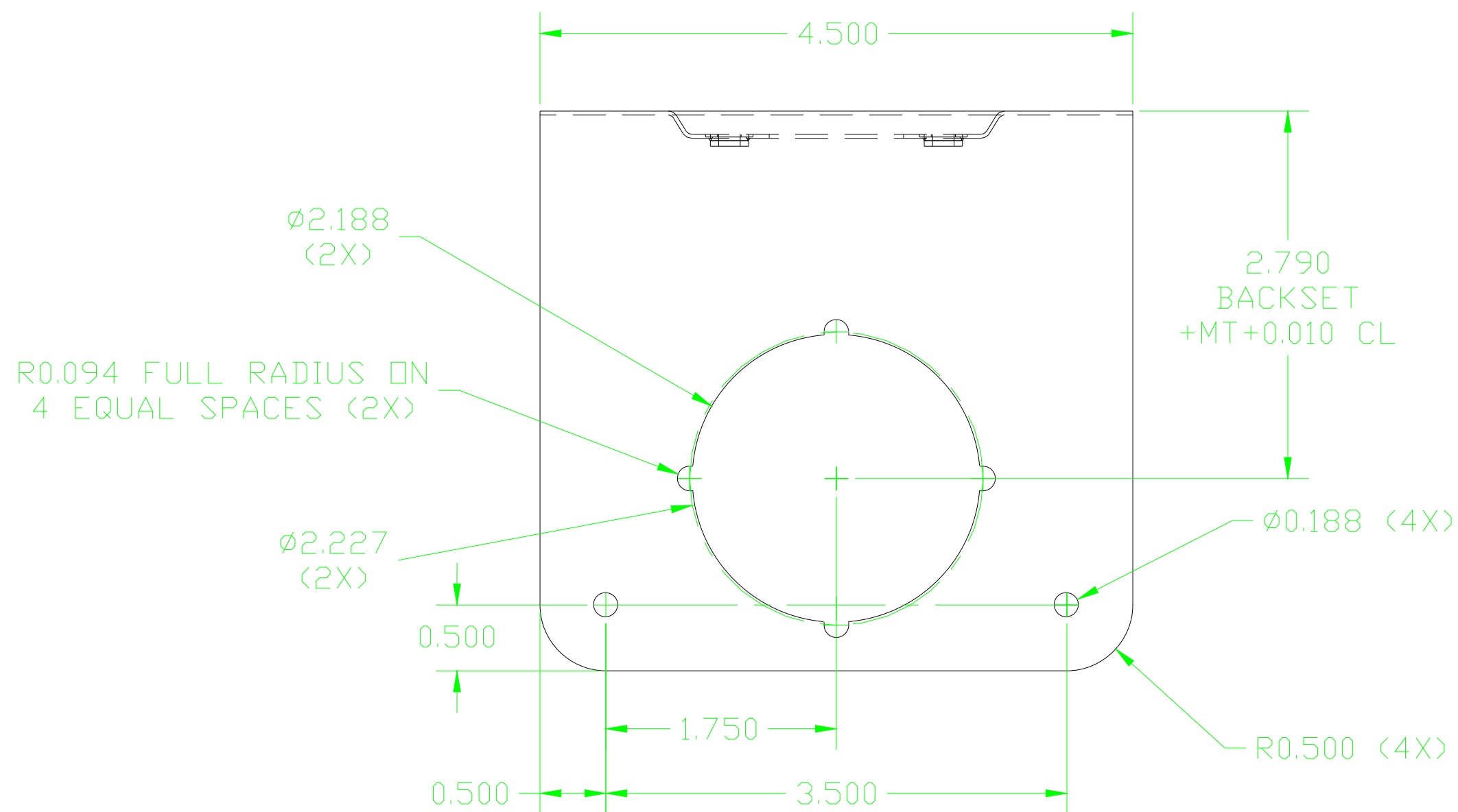
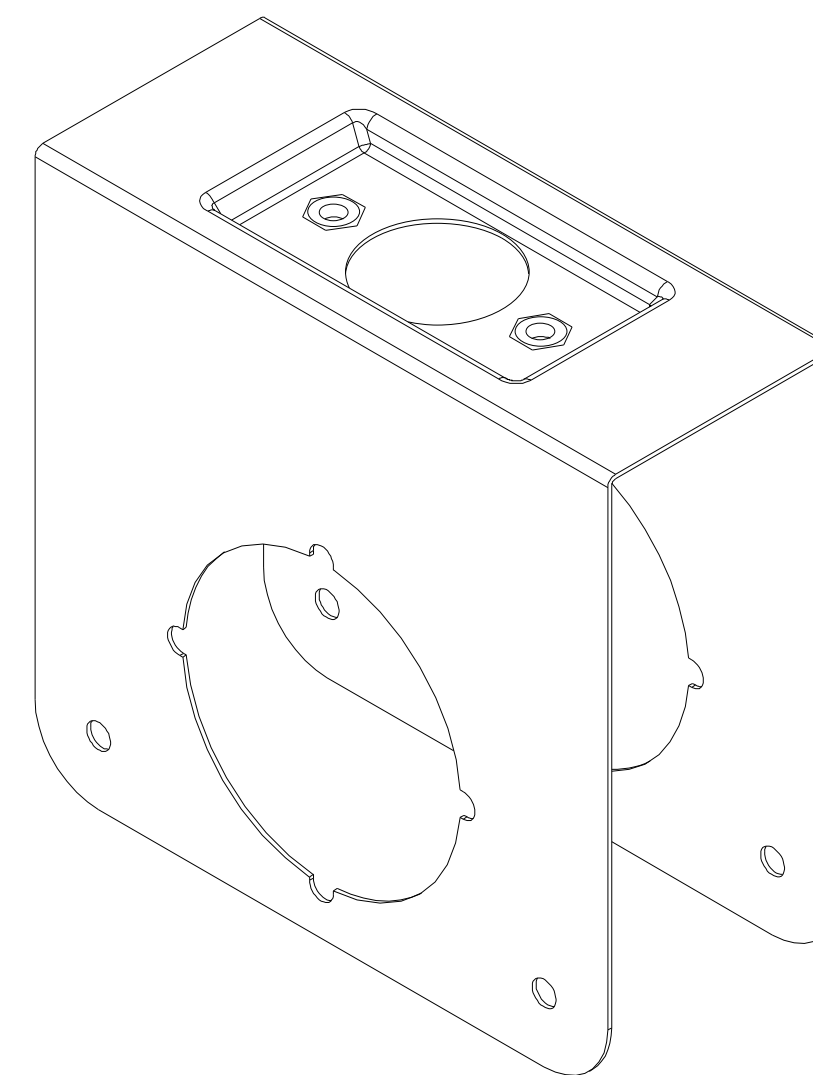
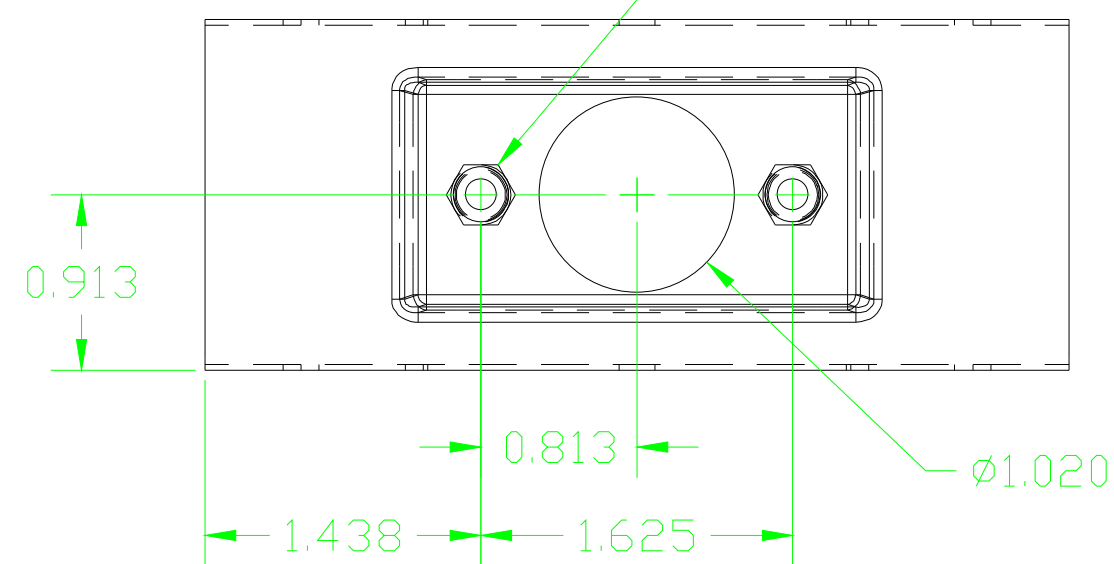
4

3

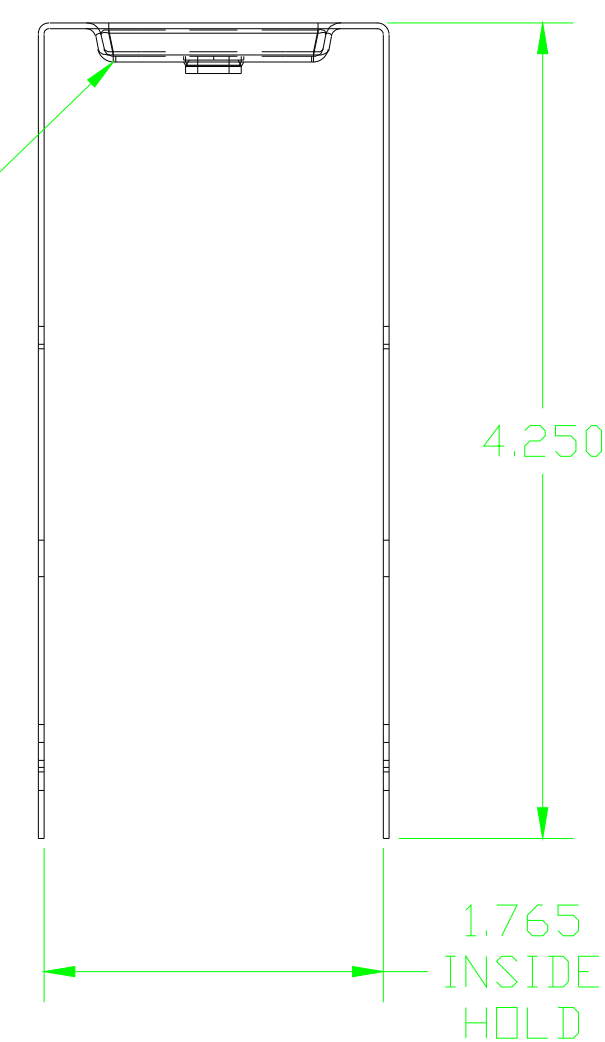
2

1

0.290 DIA THRU, EXTRUDE  
0.310 DIA X 0.020 HIGH FS  
INSTALL PEM F-832-2 NS  
(2X). SPECIAL ANVIL REQ'D  
FOR HARDWARE INSTALLATION



EMBOSS AS SHOWN  
EMBOSS TOOL



**PRO-LOK**

655 North Hariton Street • Orange, CA • 92868  
714.633.0681 / PRO-LOK.COM



Item: **EWP-132**

D

C

B

A