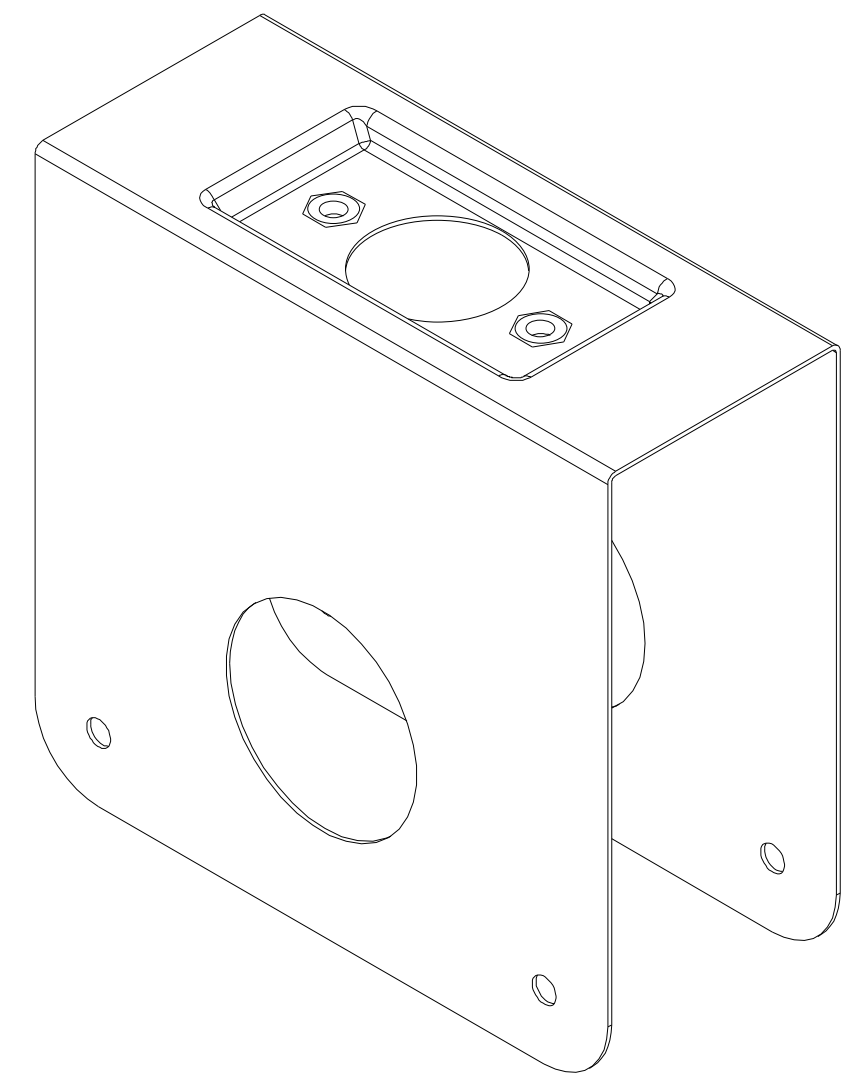
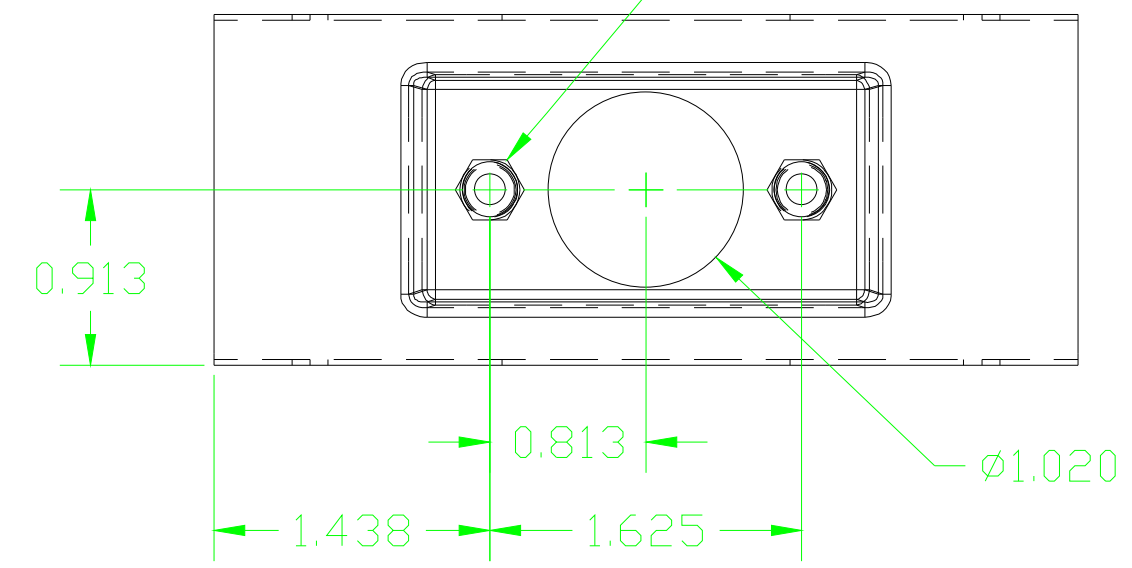


D C B A

4

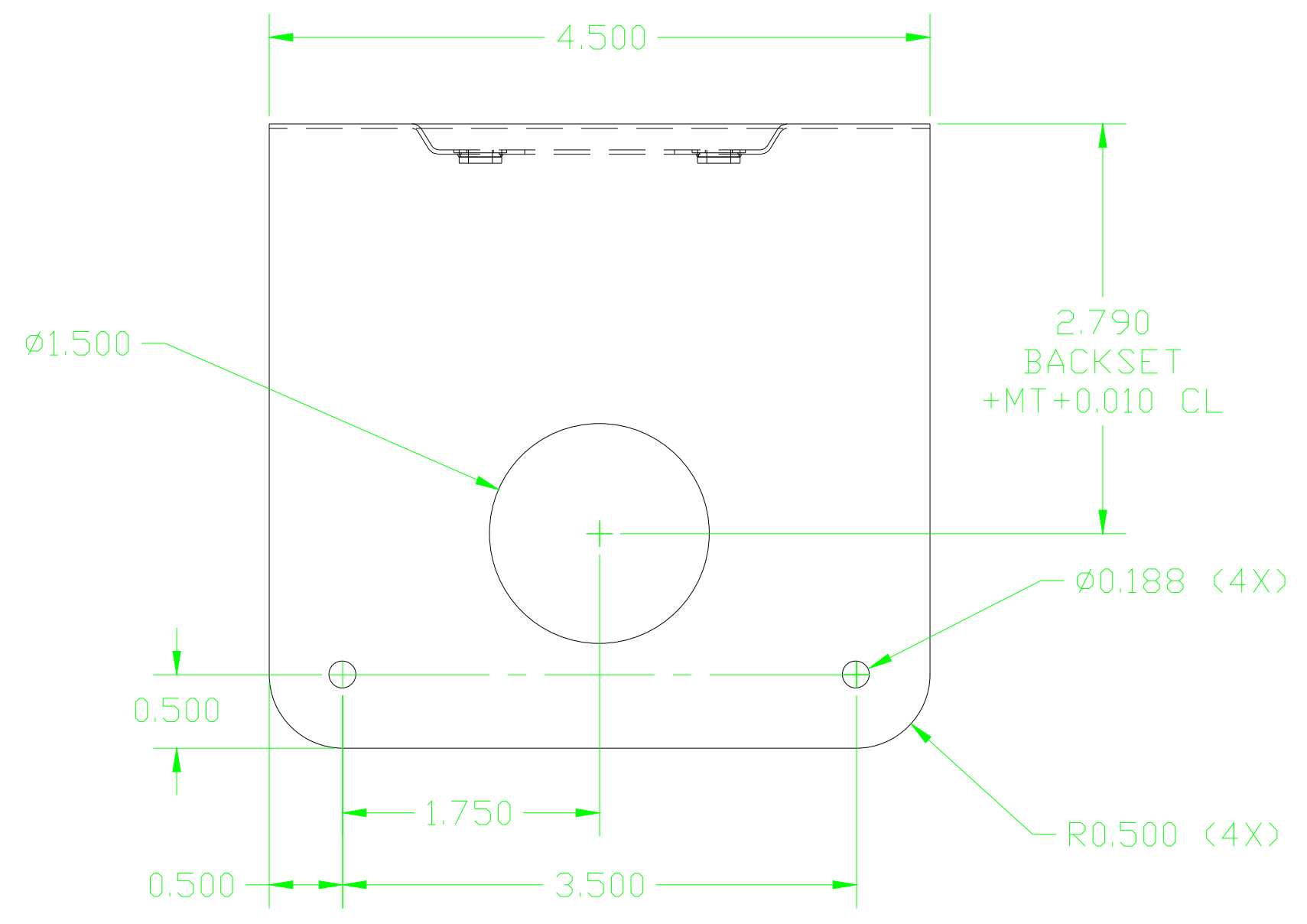
4

0.290 DIA THRU, EXTRUDE  
0.310 DIA X 0.020 HIGH FS  
INSTALL PEM F-832-2 NS  
(2X). SPECIAL ANVIL REQ'D  
FOR HARDWARE INSTALLATION

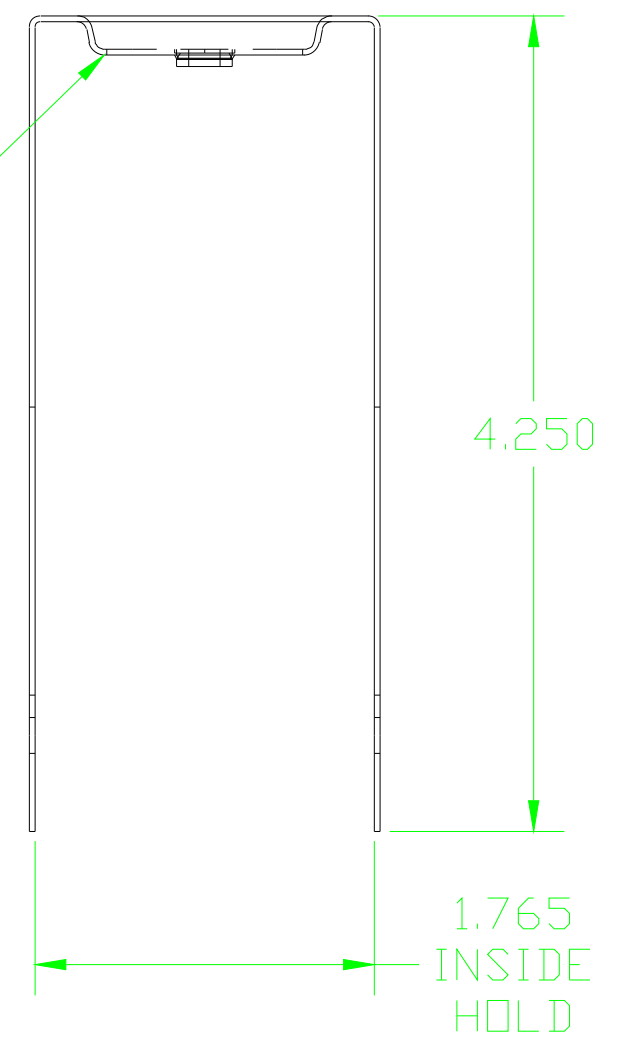


3

3



EMBOSS AS SHOWN  
EMBOSS TOOL



2

2

1

1

**PRO-LOK**

655 North Hariton Street • Orange, CA • 92868  
714.633.0681 / PRO-LOK.COM



Item: **EWP-111**

D C B A